

Standard Series



■ Model 1

■ Model 3

Protected in sleek, durable and optimally functional housing, we offer several indoor cameras to complement our outdoor security systems. The indoor cameras incorporate network surveillance solutions designed for subject recognition where variable and low light conditions exist, feature an integrated SD card dome, digital noise reduction and are equipped with a new ISP and a Super HAD II sensor. In addition, high resolution ensures that every detail in the image is captured, without any compromise in frame rate, providing an ideal solution for indoor surveillance.

Model 1



Available Models:

■ Standard Definition Models
1-SD

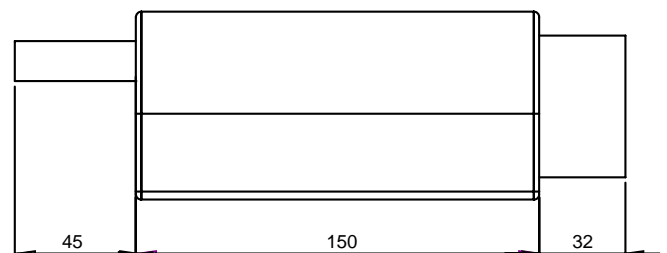
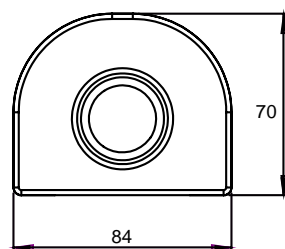
■ High Definition Models
1-HD



Indoor

mm

Dimensions
are in
millimeters





Highlighted Features



Standard & High Definition



Day & Night Function



Frame Rate

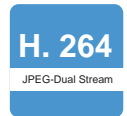


Image Format



Wide Dynamic Range



PoE Connection



Local Storage



Two-way Audio

Description

m_PAC's wide selection of indoor IP cameras rounds out our product portfolio to provide our customers with complete security solutions. The Model 1 showcases network surveillance cameras designed for subject recognition under variable and low light conditions and features a small and compact design for quick and easy wall or ceiling mount installation.

The Model 1 implements H.264 encoding, offering the benefits of broadcast quality video with up to 80% less bandwidth and storage space required in relation to MPEG2. Every detail in the image is captured without any compromise in frame rate - an indispensable feature for clear subject recognition. The availability of WiFi and 3G remote surveillance can remove the need for Ethernet cables and telecom infrastructure requirements, allowing our customers to save on installation costs. The setup process is also quick and can be customized through a client web portal or from an NVR.

Housing and Mounts



Indoor



In-Vehicle Mount



Wall Mount

Materials and Finish



Mixed Media



Housing Color

Suggested Applications

- Commercial Real Estate
- Educational and Research Facilities
- Home Surveillance
- Hypermarkets
- Manufacturing and Storage Facilities
- Retail and Show Room Security

Certifications



ONVIF



CE Certified



FCC Certified

Model 1



	1-SD	1-HD
Lens		
Image sensor	1/3" SONY 138+FH8520	1/3" progressive scan CMOS
Resolution	1200TVL	1920 (H) x 1080 (V)
Minimum illumination	0.1 lux / f1.2	color mode: 0.1 lux at f1.2 AGC on ; B/W mode: 0.005 lux at f1.2 AGC on
S/N ratio	>46dB	more than 50dB (AGC off)
Electronic shutter	1/50 s~1/100,000 s for PAL, 1/60~1/100000 s for NTSC	auto 1/25 s ~ 1/100,000 s, slow shutter: 1/2, 1/4, 1/8, 1/12
Image enhancement	AGC / BLC / HPLC / ATR / WB / 2D / 3D NR	AGC / BLC / WDR 180X / WB
Day & Night	auto / external trigger / color / black and white	auto ICR
Lens	CS / mega pixel lens	CS/C auto Iris (DC drive)
Video		
Compression	H.264 / M-JPEG dual stream	H.264 / M-JPEG dual stream
Bit rate	32k to 16Mbps controllable	32k to 16Mbps controllable / variable BR
Frame rate	1 ~ 25 full D1 704x576 at PAL, 1 ~ 30 full D1 704x480 at NTSC	(1 ~ 25) 1920 (H) x 1080 (V) at PAL / (1 ~ 30) 1920 (H) x 1080 (V) at NTSC
Video output	composite 1.0 Vp-p 75 ohms	one channel composite video output
Audio		
Audio input	one channel MIC in or line input unbalanced 1.4 Vp-p	one channel MIC in or line input unbalanced 1.4 Vp-p
Audio output	one channel, RCA interface, linear output	one channel, RCA interface, linear output
Audio compression	G.726, G.711, ADPCM	G.726, G.711, ADPCM
Alarm System Integration		
Alarm input	one channel on/off input NO/NC	one channel on/off input NO/NC
Alarm output	one channel on/off output 120 VAC 1A / 24 VDC 1A	one channel on/off output 120 VAC 1A / 24 VDC 1A
Serial port	RS485 transparent protocol	RS485 transparent protocol
Recording	motion trigger, alarm trigger, manual or schedule	motion trigger, alarm trigger, manual or schedule
Network and Storage		
Ethernet port	10/100M Base-t self-adapting Ethernet port	10/100M Base-t self-adapting Ethernet port
Protocol	TCP/IP, UDP, RTP, RTSP, RTCP, HTTP, DNS, DDNS, DHCP, FTP, NTP, PPPOE, SMTP, UPNP	TCP/IP, UDP, RTP, RTSP, RTCP, HTTP, DNS, DDNS, DHCP, FTP, NTP, PPPOE, SMTP, UPNP
Web browser	Internet Explorer 9.0 or above	Internet Explorer 9.0 or above
Wireless protocols	802.11b/g supports WEP, WPA, WPA2 (optional)	802.11b/g supports WEP, WPA, WPA2 (optional)
SD storage	up to 32GB	up to 32GB
Operating Conditions		
Operating temp.	-10° C ~ +60° C	-10° C ~ +60° C
Storage temp.	-20° C ~ +80° C	-20° C ~ +80° C
Operating humidity	10% ~ 85%	10% ~ 85%
Weight and Dimensions		
Input voltage	12 VDC	12 VDC
Power consumption	7W	6W
Dimensions (cm)	84 x 150 x 70 (L x W X H)	84 x 150 x 70 (L x W X H)
Weight	0.60 Kg	0.60 Kg
Colors	anodized aluminum and plastic in black, white, red, blue or silver	anodized aluminum and plastic in black, white, red, blue or silver

Model 3

Available Models:

■ Standard Definition Models
3-SD

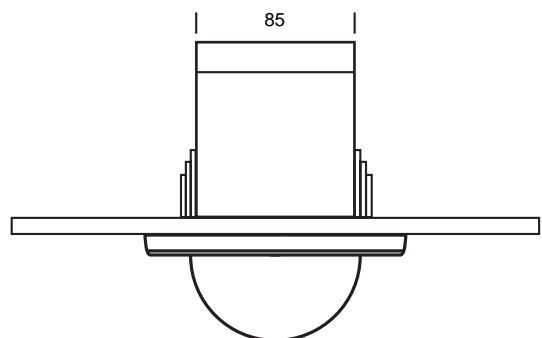
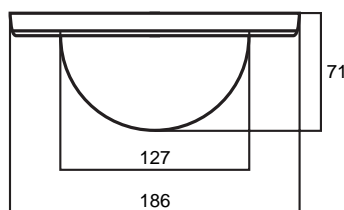
■ High Definition Models
3-HD



Indoor

mm

Dimensions
are in
millimeters



Model 3



Description

The Model 3 offers compact wall or ceiling mounted fixed indoor cameras. Both the standard and high definition cores produce a clear and highly detailed image. Advanced 2D/3D digital noise reduction helps reduce the amount of low luminance noise as well as the signal to noise (S/N) ratio, resulting in a dramatically improved horizontal resolution and a clearer and sharper image display even in dark conditions. Network digital video streaming over IP and advanced H.264/M-JPEG dual stream image compression make it possible to integrate the Model 3 cameras into any existing TCP/IP network. The Model 3 is offered in a protective dome housing, and can be customized with exterior and/or dome glass colors.

Suggested Applications

- Commercial Real Estate
- Educational and Research Facilities
- Home Surveillance
- Hypermarkets
- Manufacturing and Storage Facilities
- Retail and Show Room Security

Highlighted Features



Standard & High Definition



Day & Night Function



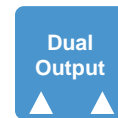
Frame Rate



Image Format



Wide Dynamic Range



Dual Output



PoE Connection



Two-way Audio



WiFi Connectivity

Housing and Mounts



Indoor



In-Vehicle Mount



Ceiling Mount

Materials and Finish



Aluminum



Housing Color



Glass Color

Certifications



ONVIF



CE Certified



FCC Certified

Model 3



3-SD

3-HD

Lens

Image sensor	1/3" SONY 138+FH8520	1/3" progressive scan CMOS
Resolution	1200TVL	1920 (H) x 1080 (V)
Minimum illumination	0.1 lux / f1.2	color mode: 0.1 lux at f1.2 AGC on ; B/W mode: 0.005 lux at f1.2 AGC on
S/N ratio	>46dB	more than 50dB (AGC off)
Electronic shutter	1/50 s~1/100,000 s for PAL, 1/60~1/100000 s for NTSC	auto 1/25 s ~ 1/100,000 s, slow shutter: 1/2, 1/4, 1/8, 1/12
Image enhancement	AGC / BLC / HPLC / ATR / WB / 2D / 3D NR	AGC / BLC / WDR 180X / WB
Day & Night	auto / external trigger / color / black and white	auto ICR
Lens	optional	2.8 ~ 12mm manual zoom

Video

Compression	H.264 / M-JPEG dual stream	H.264 / M-JPEG dual stream
Bit rate	16k to 1Mbps controllable	32k to 16Mbps controllable
Frame rate	1 ~ 25 full D1 704x576 at PAL, 1 ~ 30 full D1 704x480 at NTSC	(1 ~ 25) 1920 (H) x 1080 (V) at PAL / (1 ~ 30) 1920 (H) x 1080 (V) at NTSC
Video output	1.0 Vp-p 75 ohms	one channel composite video output

Audio

Audio input	one channel MIC in or line input unbalanced 1.4 Vp-p	one channel MIC in or line input unbalanced 1.4 Vp-p
Audio output	one channel, RCA interface, linear output	one channel, RCA interface, linear output
Audio compression	G.726, G.711, ADPCM	G.726, G.711, ADPCM

Alarm System Integration

Alarm input	one channel on/off input NO/NC	one channel on/off input NO/NC
Alarm output	one channel on/off output 120 VAC 1A / 24 VDC 1A	one channel on/off output 120 VAC 1A / 24 VDC 1A
Serial port	RS485 transparent protocol	RS485 transparent protocol
Recording	motion trigger, alarm trigger, manual or schedule	motion trigger, alarm trigger, manual or schedule

Network and Storage

Ethernet port	10/100M Base-t self-adapting Ethernet port	10/100M Base-t self-adapting Ethernet port
Protocol	TCP/IP, UDP, RTP, RTSP, RTCP, HTTP, DNS, DDNS, DHCP, FTP, NTP, PPPOE, SMTP, UPNP	TCP/IP, UDP, RTP, RTSP, RTCP, HTTP, DNS, DDNS, DHCP, FTP, NTP, PPPOE, SMTP, UPNP
Web browser	Internet Explorer 9.0 or above	Internet Explorer 9.0 or above
Wireless protocols	802.11b/g supports WEP, WPA, WPA2 (optional)	802.11b/g supports WEP, WPA, WPA2 (optional)

Operating Conditions

Operating temp.	-10° C ~ +60° C	-10° C ~ +60° C
Storage temp.	-20° C ~ +80° C	-20° C ~ +80° C
Operating humidity	10% ~ 85%	10% ~ 85%

Weight and Dimensions

Input voltage	12 VDC	12 VDC
Power consumption	4W	6W
Dimensions (cm)	Ø 186 x 71 (R x H)	Ø 186 x 71 (R x H)
Weight	0.6 Kg	0.6 Kg
Colors	white, black, silver, blue	white, black, silver, blue
Glass color	transperant, smoked	transperant, smoked