

# Model 3

## Available Models:

■ Standard Definition Models  
3-SD

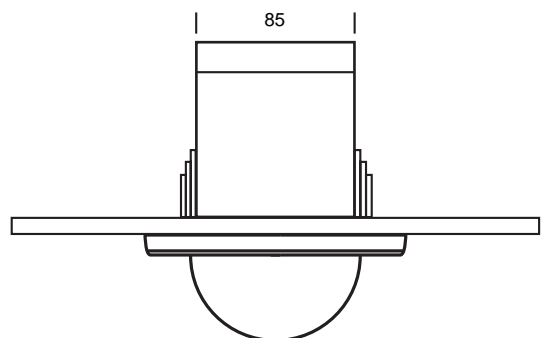
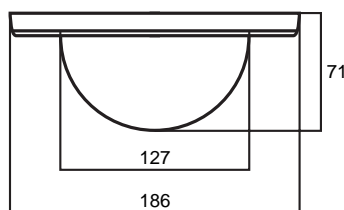
■ High Definition Models  
3-HD



Indoor

mm

Dimensions  
are in  
millimeters



# Model 3



## Description

The Model 3 offers compact wall or ceiling mounted fixed indoor cameras. Both the standard and high definition cores produce a clear and highly detailed image. Advanced 2D/3D digital noise reduction helps reduce the amount of low luminance noise as well as the signal to noise (S/N) ratio, resulting in a dramatically improved horizontal resolution and a clearer and sharper image display even in dark conditions. Network digital video streaming over IP and advanced H.264/M-JPEG dual stream image compression make it possible to integrate the Model 3 cameras into any existing TCP/IP network. The Model 3 is offered in a protective dome housing, and can be customized with exterior and/or dome glass colors.

## Suggested Applications

- Commercial Real Estate
- Educational and Research Facilities
- Home Surveillance
- Hypermarkets
- Manufacturing and Storage Facilities
- Retail and Show Room Security

## Highlighted Features



Standard & High Definition



Day & Night Function



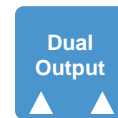
Frame Rate



Image Format



Wide Dynamic Range



Dual Output



PoE Connection



Two-way Audio



WiFi Connectivity

## Housing and Mounts



Indoor



In-Vehicle Mount



Ceiling Mount

## Materials and Finish



Aluminum



Housing Color



Glass Color

## Certifications



ONVIF



CE Certified



FCC Certified

# Model 3



## 3-SD

## 3-HD

### Lens

<b>Image sensor</b>	1/3" SONY 138+FH8520	1/3" progressive scan CMOS
<b>Resolution</b>	1200TVL	1920 (H) x 1080 (V)
<b>Minimum illumination</b>	0.1 lux / f1.2	color mode: 0.1 lux at f1.2 AGC on ; B/W mode: 0.005 lux at f1.2 AGC on
<b>S/N ratio</b>	>46dB	more than 50dB (AGC off)
<b>Electronic shutter</b>	1/50 s~1/100,000 s for PAL, 1/60~1/100000 s for NTSC	auto 1/25 s ~ 1/100,000 s, slow shutter: 1/2, 1/4, 1/8, 1/12
<b>Image enhancement</b>	AGC / BLC / HPLC / ATR / WB / 2D / 3D NR	AGC / BLC / WDR 180X / WB
<b>Day &amp; Night</b>	auto / external trigger / color / black and white	auto ICR
<b>Lens</b>	optional	2.8 ~ 12mm manual zoom

### Video

<b>Compression</b>	H.264 / M-JPEG dual stream	H.264 / M-JPEG dual stream
<b>Bit rate</b>	16k to 1Mbps controllable	32k to 16Mbps controllable
<b>Frame rate</b>	1 ~ 25 full D1 704x576 at PAL, 1 ~ 30 full D1 704x480 at NTSC	(1 ~ 25) 1920 (H) x 1080 (V) at PAL / (1 ~ 30) 1920 (H) x 1080 (V) at NTSC
<b>Video output</b>	1.0 Vp-p 75 ohms	one channel composite video output

### Audio

<b>Audio input</b>	one channel MIC in or line input unbalanced 1.4 Vp-p	one channel MIC in or line input unbalanced 1.4 Vp-p
<b>Audio output</b>	one channel, RCA interface, linear output	one channel, RCA interface, linear output
<b>Audio compression</b>	G.726, G.711, ADPCM	G.726, G.711, ADPCM

### Alarm System Integration

<b>Alarm input</b>	one channel on/off input NO/NC	one channel on/off input NO/NC
<b>Alarm output</b>	one channel on/off output 120 VAC 1A / 24 VDC 1A	one channel on/off output 120 VAC 1A / 24 VDC 1A
<b>Serial port</b>	RS485 transparent protocol	RS485 transparent protocol
<b>Recording</b>	motion trigger, alarm trigger, manual or schedule	motion trigger, alarm trigger, manual or schedule

### Network and Storage

<b>Ethernet port</b>	10/100M Base-t self-adapting Ethernet port	10/100M Base-t self-adapting Ethernet port
<b>Protocol</b>	TCP/IP, UDP, RTP, RTSP, RTCP, HTTP, DNS, DDNS, DHCP, FTP, NTP, PPPOE, SMTP, UPNP	TCP/IP, UDP, RTP, RTSP, RTCP, HTTP, DNS, DDNS, DHCP, FTP, NTP, PPPOE, SMTP, UPNP
<b>Web browser</b>	Internet Explorer 9.0 or above	Internet Explorer 9.0 or above
<b>Wireless protocols</b>	802.11b/g supports WEP, WPA, WPA2 (optional)	802.11b/g supports WEP, WPA, WPA2 (optional)

### Operating Conditions

<b>Operating temp.</b>	-10° C ~ +60° C	-10° C ~ +60° C
<b>Storage temp.</b>	-20° C ~ +80° C	-20° C ~ +80° C
<b>Operating humidity</b>	10% ~ 85%	10% ~ 85%

### Weight and Dimensions

<b>Input voltage</b>	12 VDC	12 VDC
<b>Power consumption</b>	4W	6W
<b>Dimensions (cm)</b>	Ø 186 x 71 (R x H)	Ø 186 x 71 (R x H)
<b>Weight</b>	0.6 Kg	0.6 Kg
<b>Colors</b>	white, black, silver, blue	white, black, silver, blue
<b>Glass color</b>	transperant, smoked	transperant, smoked